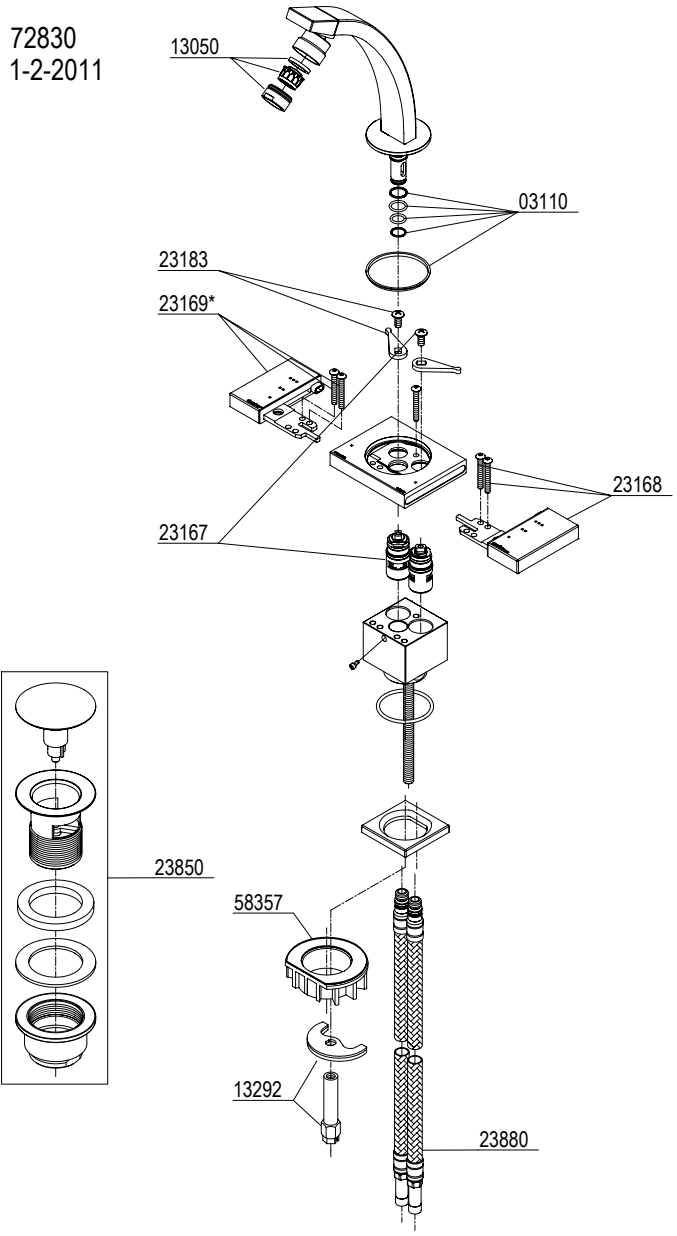


72830  
1-2-2011



72830 (Old)

